

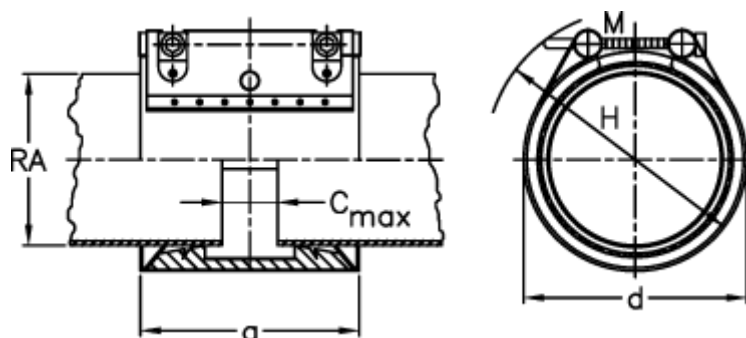
# Data Sheet



Article number: 025799200057

Description: Norma Connect pipe coupling  
GRIP E W4 Ø=57,0 EPDM, 16 bar

## Measures



a	= 77.400000000000006	Weight a piece = 0.8
C max with insertion band	= 17	
d	= 80	
H	= 100	
M (screw)	= M8	
Nominal pressure (bar)	= 16	
RA	= 57	
RA min-RA max	= 55,0-57,6	